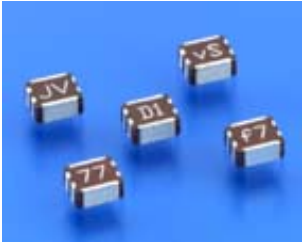


**DBF71B001**

2.4GHz Wireless LAN &amp; Bluetooth

[Inquiry](#)
**NEW**

Multilayered dielectric Balance Filters have filter and a balun put in one single dielectric body by using our own LTCC technology.  
High attenuation type (With DC terminal)



Mechanical samples (DBF71B Type)

**Application**

for 2.4GHz Wireless LAN &amp; Bluetooth

**Characteristics**

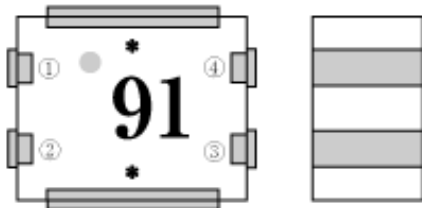
<b>DBF71B001</b>	
Unbalance impedance	50 ohm Nominal
Balance impedance	100 ohm Nominal
Center frequency	2450MHz
Pass band	2400-2500MHz
Insertion loss	3.0 dB max (2400-2500MHz at 25 Deg.C)
	3.3 dB max (2400-2500MHz at -40 up to +85 Deg.C)
Ripple	1.0 dB max (2400-2500MHz)
Unbalance port V.S.W.R	2.0 max (2400-2500MHz)
Attenuation	48 dB min (880-960MHz)
	48 dB min (1710-1980MHz)
	40 dB min (1880-1980MHz)
	25 dB min (2110-2170MHz)
	30 dB min (4800-5000MHz)
	30 dB min (7200-7500MHz) Reference
Amplitude balance	1.0 dB max (2400-2500MHz)
Phase differential	175-185 Deg. (2400-2500MHz at 25Deg.C)
	172-188 Deg. (2400-2500MHz at -40 up to +85 Deg.C)

**Number of ordered pieces**

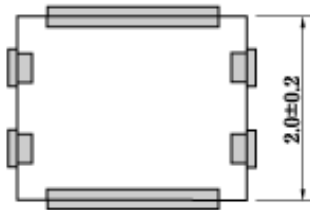
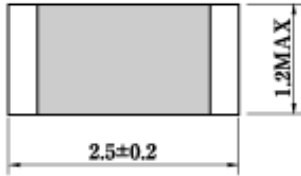
2000pcs/Reel

**Dimensions**

## Dimensions (Unit : mm)



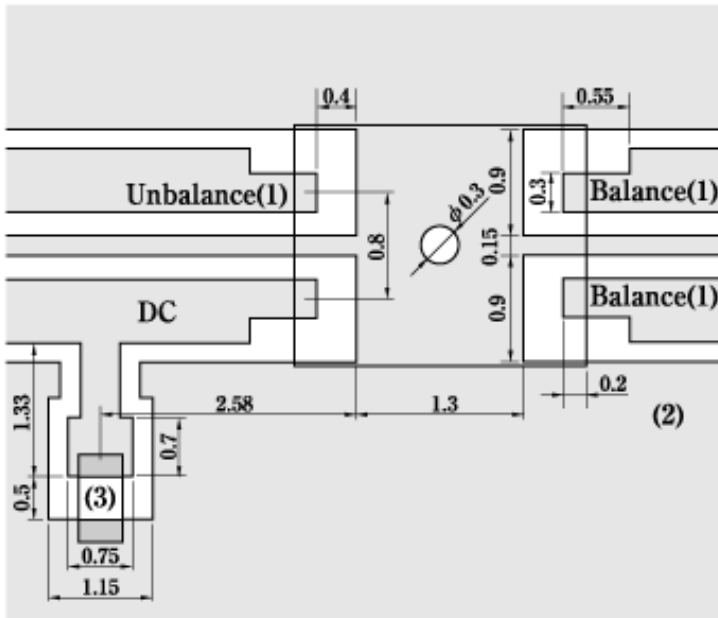
Terminal	
①	Input
②	DC
③	Balance
④	Balance
*	GND



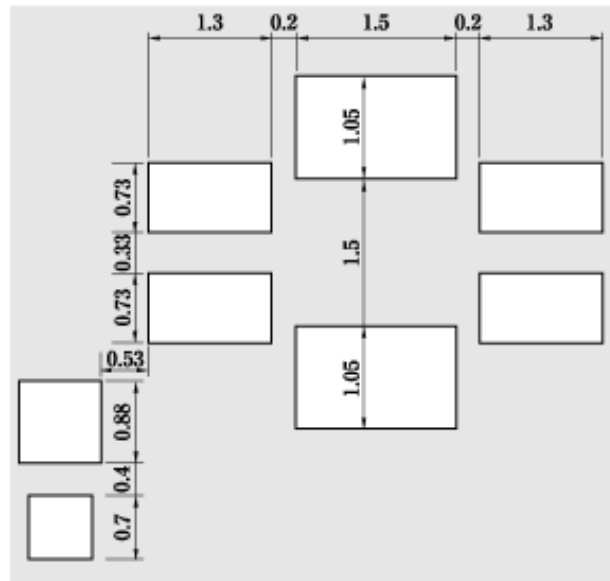
## Recommended Patterns

**Balance Filter For Bluetooth & Wireless LAN**  
**TYPE No. : DBF71B001 (With DC Terminal)**  
**Recommended Pattern (Unit : mm)**

**Land Pattern**



**Resist Pattern**



- (1) 50 ohm Impedance Line
- (2) Ground Plane
- (3) Decoupling Capacitor = 100pF